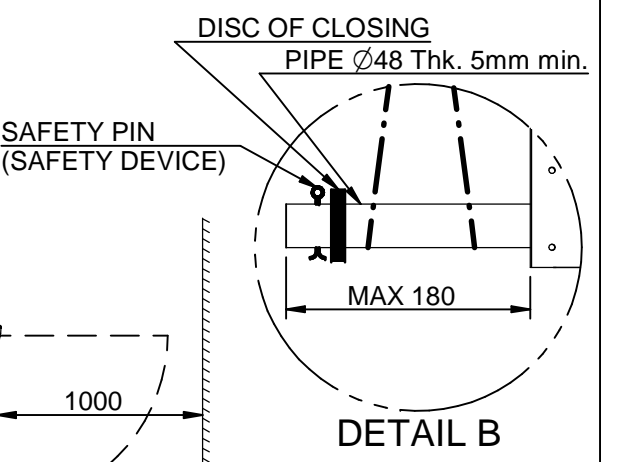
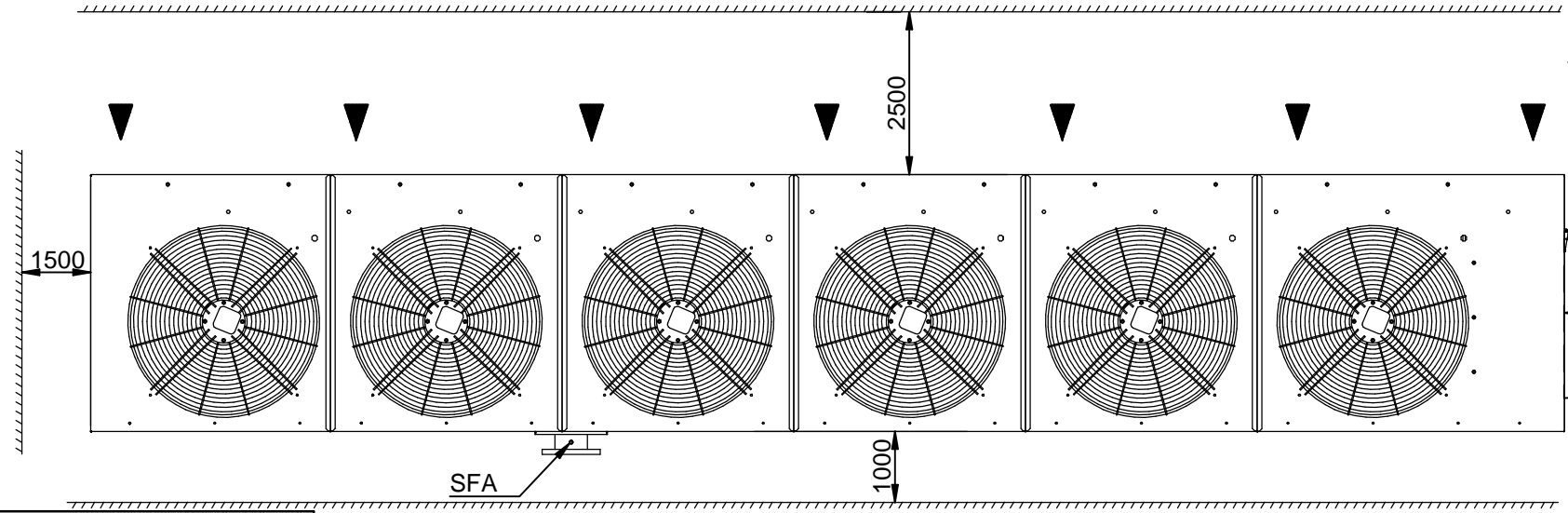


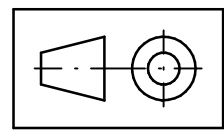
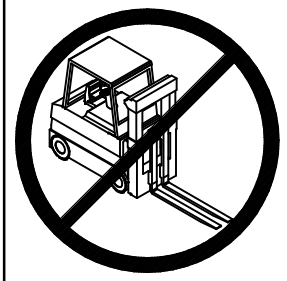
**LEGEND**

HPG	High pressure gauge ( Opt )
LPG	Low pressure gauge ( Opt )
SFA	Manual air vent
ATS	Spring type antivibrant mounting ( Opt )
ATV	Rubber type antivibrant mounting ( Opt )



**LIFTING AND CARRIAGE PRECAUTIONS**

- Check the weight on the CE label to select appropriate lift equipment .
- Before lifting the unit make sure that the external panel is firmly fixed in place.
- To use only lifting points provided.
- The chains or slings must be of equal length.
- To use a spread-bar to avoid damage to the unit.
- The movement must be performed with caution and avoid abrupt movements.
- Never move the unit on rollers.
- Never lift the unit using a fork-lift.



MOD.	EMPTY WEIGHT	OPERATING WEIGHT
CFT.370	2410 kg	2455 kg
CFT.430	2565 kg	2615 kg
CFT.480	2670 kg	2730 kg

Scala-Scale	Data-Date	Dis.to-Drawn	N°Pezzi
	31/03/15	M.M.	
Peso-Weight Kg.	Materiali-Materials		
Denominazione-Denomination			
WATER CHILLERS mod. CFT.370÷480			
Particolare-Detail			
Overall dimension - Lift Instruction			
REFRIGERANT R410a			

<b>HITEMA®</b>	
DIS.-DRAW N.	DIM-CFT-370ST01
Rev.	02 - M.M. - 01/08/16
PROGRAM.N.	