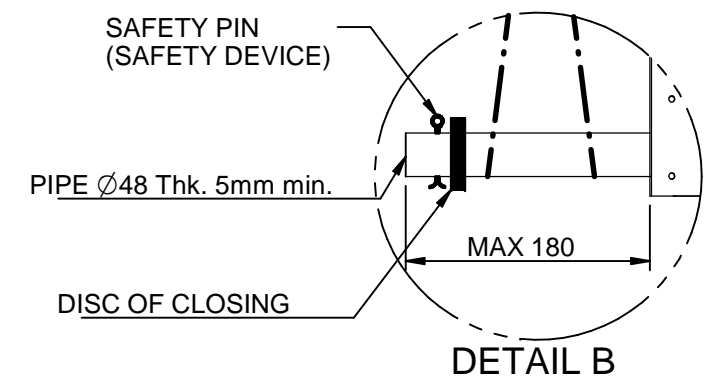
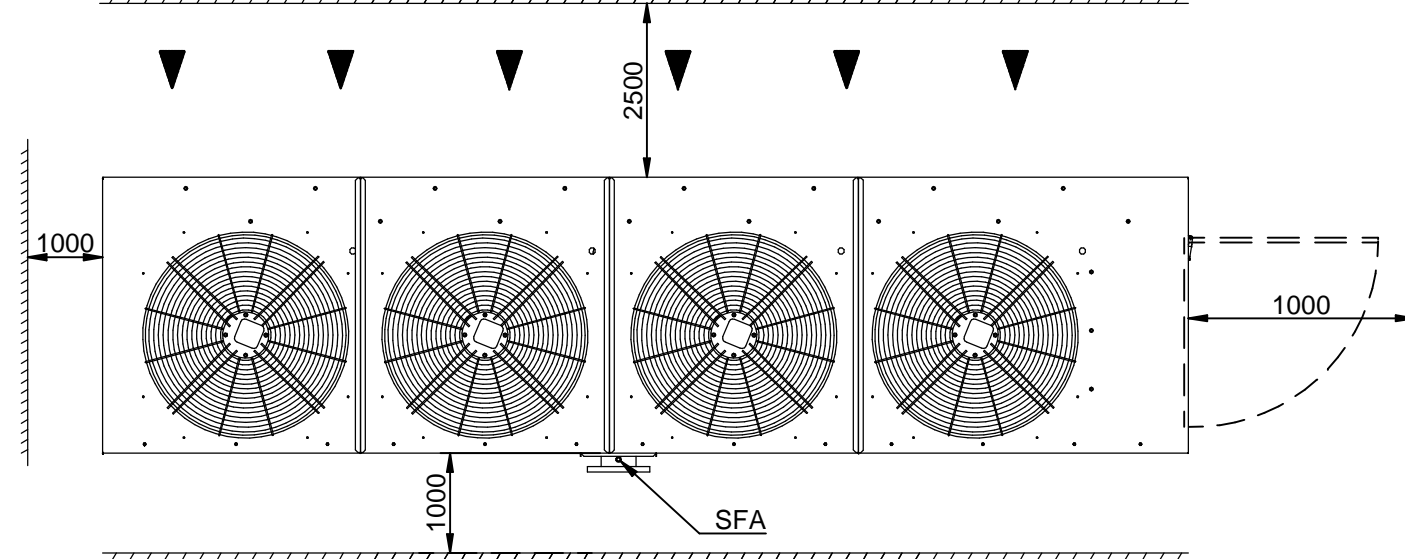


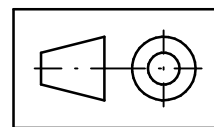
LEGEND

HPG	High pressure gauge (Opt)
LPG	Low pressure gauge (Opt)
SFA	Manual air vent
ATS	Spring type antivibrant mounting (Opt)
ATV	Rubber type antivibrant mounting (Opt)



LIFTING AND CARRIAGE PRECAUTIONS

- Check the weight on the CE label to select appropriate lift equipment .
- Before lifting the unit make sure that the external panel is firmly fixed in place.
- To use only lifting points provided.
- The chains or slings must be of equal length.
- To use a spread-bar to avoid damage to the unit.
- The movement must be performed with caution and avoid abrupt movements.
- Never move the unit on rollers.
- Never lift the unit using a fork-lift.



Scala-Scale	Data-Date	Dis.to-Drawn	N°Pezzi
	03/08/16	M.M.	
Peso-Weight Kg.	Materiali-Materials		
Denominazione-Denomination	WATER CHILLERS mod. CFT.200		
Particolare-Detail	Overall dimension - Lift Instruction		
REFRIGERANT R410a			
MOD.	EMPTY WEIGHT	OPERATING WEIGHT	
CFT.200	1690 kg	1710 kg	
DIS.-DRAW N.		DIM-CFT-200ST01	
Rev.		00	
PROGRAM.N.			

